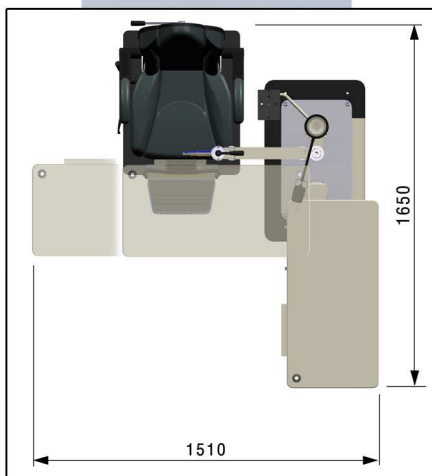


# KARISMA2 UNIT

## art. 65CL



### TECHNICAL INFORMATIONS

Input tension	220V 50/60 Hz
	110V 50/60 Hz
Power	1100 VA
LED lamp power	12V
Table height	820-920 mm
Weight	140 kg
Counterweights	46 kg

Two instruments unit with  
manual traversing table and  
motorized elevation



TECHNICAL DEPARTMENT  
Via Bonicalza 138  
Cassano Magnago (VA) - ITALY  
Tel. +39 0331 201009  
<http://www.frastema.com>  
email : [info@frastema.com](mailto:info@frastema.com)

